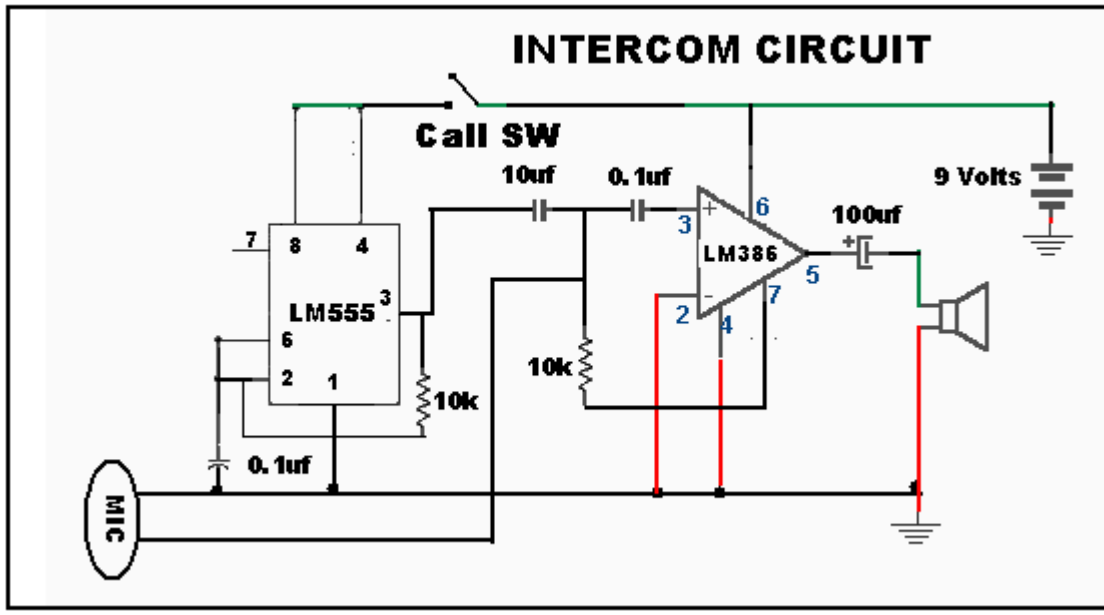
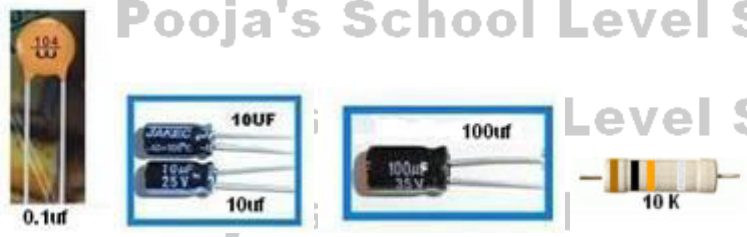


Mini Intercom



This is a Mike amplifier circuit using LM 386 with an electret Mike at its input and a loud speaker at its output. The circuit incorporates a tone generator IC 555 for the purpose of calling tone. A pair of the above amplifier circuit can be used for two-way communication as a result of an intercom. A Mike converts the voice signals to electrical signals & feeds to the input of LM386 at Pin3 through 0.1uF capacitor. The ic1 amplifies the sound signals & outputs at pin 5 & it is retrieved by a loud-speaker. A Call switch is provided to switch on a 555 based tone circuit for calling purpose. The circuit operates with a 9volt battery.



Brown Black Orange



9volt Battery

Call Switch